

801-114 Flag Pole 25'

Page 1 of 2
Rev. 04/9/2010

IMPORTANT

PLEASE READ THESE INSTRUCTIONS BEFORE COMMENCING ASSEMBLY. Please retain this instruction sheet in your files. It contains important replacement parts information. All equipment must be installed in accordance with these instructions. It is important to use and maintain all public playground equipment properly. Playground equipment, which is improperly maintained, can cause serious injury. Periodical inspections, maintenance, repair and/or replacement of damaged parts is necessary for safe operation of equipment. Appropriate publications, available at no charge, from the consumer product safety commission, include "A Handbook for Public Playground safety". You can receive your free copy by calling 1-301-504-7908.



PACKING LIST

1	CTN	1	Hardware Bag
2	PIPE	1 803-113N	1 7/8" x 19'
		1 803-115	2 3/8" x 11'

HARDWARE BAG

1	805-113	2 3/8" Alum Ring
1	805-114	Flag Pole Top Outer Half
1	805-115	Flag Pole Top Inner Half
1	805-116	Cleat
46ft	805-117	End Weld Sash Chain #14
1	805-118	Alum Pulley
1	196-550	1/4" x 1 3/4" Roll Pin
1	216-512	5/16" x 1" B. H. Nut
1	116-535	5/16" x 1 1/2" B. H. Bolt
1	326-501	5/16" Lock Washer
4	326-601	3/8" Lock Washers
4	126-703	3/8"x 1" B. H. Pin Bolt ss
2	585-904	Swivel Snap
3	805-119	1/8" "S" hook
2	186-404	1/4" x 1" SL FH Machine Screw
2	416-350	3/16" Socket Key
1	416-402bpk	7/32" pin key

1 CTN	2 PIPE	3 TOTAL PIECES	WEIGHT 160#	CLASS 70
-------	--------	----------------	-------------	----------

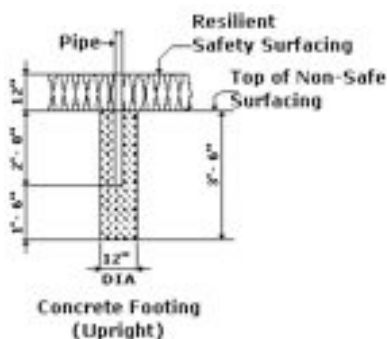
SportsPlay Equipment, Inc., 5642 Natural Bridge, St. Louis, MO 63120 (314) 389-4140
www.sportsplayinc.com

801-114 Flag Pole 25'

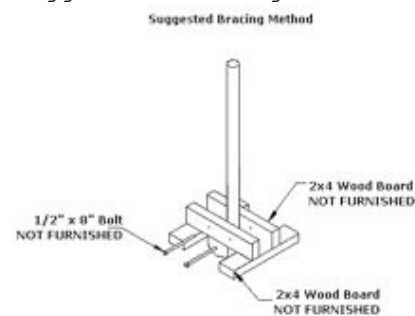
Page 2 of 2
Rev. 04/9/2010

Check all parts and hardware against the packing list to insure you have received everything needed to assemble this product. Check each part carefully and remove any sharp edges or projections that may have been caused in shipping. Contact your distributor with notification of any missing or damaged parts. Contact must be made within ten days of receipt of your order.

Permanent Installation:



Suggested Bracing Method



SPECIFIC ASSEMBLY INSTRUCTIONS:

- STEP #1: Mark and dig hole. Footing is 12" around and 3 ft 6 inch deep.
- STEP #2: Prop 2 3/8" pole in holes and pour concrete. Allow at least 48 Hours for concrete to harden. If installation is on blacktop, footings should be flush with surface and crowned slightly for drainage. If installed in dirt, footings should be left 3" below surface but crowned for drainage. After concrete hardens fill in with dirt. This also applies if installation is in sand, wood chips, or other resilient safety surface.
- STEP #3: Assemble the 1 7/8" pole prior to sliding it into the 2 3/8" pipe. Create a loop with the sash chain using one of the "S" hooks provided. Assemble the top by placing the pulley into the half with the sash chain around it using the 1/4" roll pin provided, but note that the "S" hook does not pass through the pulley. Then bolt the top to the pole using the 5/16" x 1 1/2" B.H. Bolt with lock washer and 5/16" B.H. nut. Attach the cleat in the pre-drilled holes using the 1/4" machine screws provided.
- STEP #4: Slide the 2 3/8" aluminum ring over the 2 3/8" pipe with the beveled edge downward. Now slide the 1 7/8" pipe into the 2 3/8" post 18 inches deep. Line up the holes and attach using the four 3/8" x 1" B.H. Bolts, lock washers. It is recommended to caulk around the top of the ring and pipe to prevent water from getting in the pipe.
- STEP #5: To attach flag, attach the provided swivel snaps using the 1/8" "S" hooks to the sash chain. It is recommended to have the snaps attached to the flag to ensure that the flag fit is correct.

MAINTENANCE INSTRUCTIONS:

Check periodically for loose bolts or broken parts. Replace any broken or damaged parts immediately.