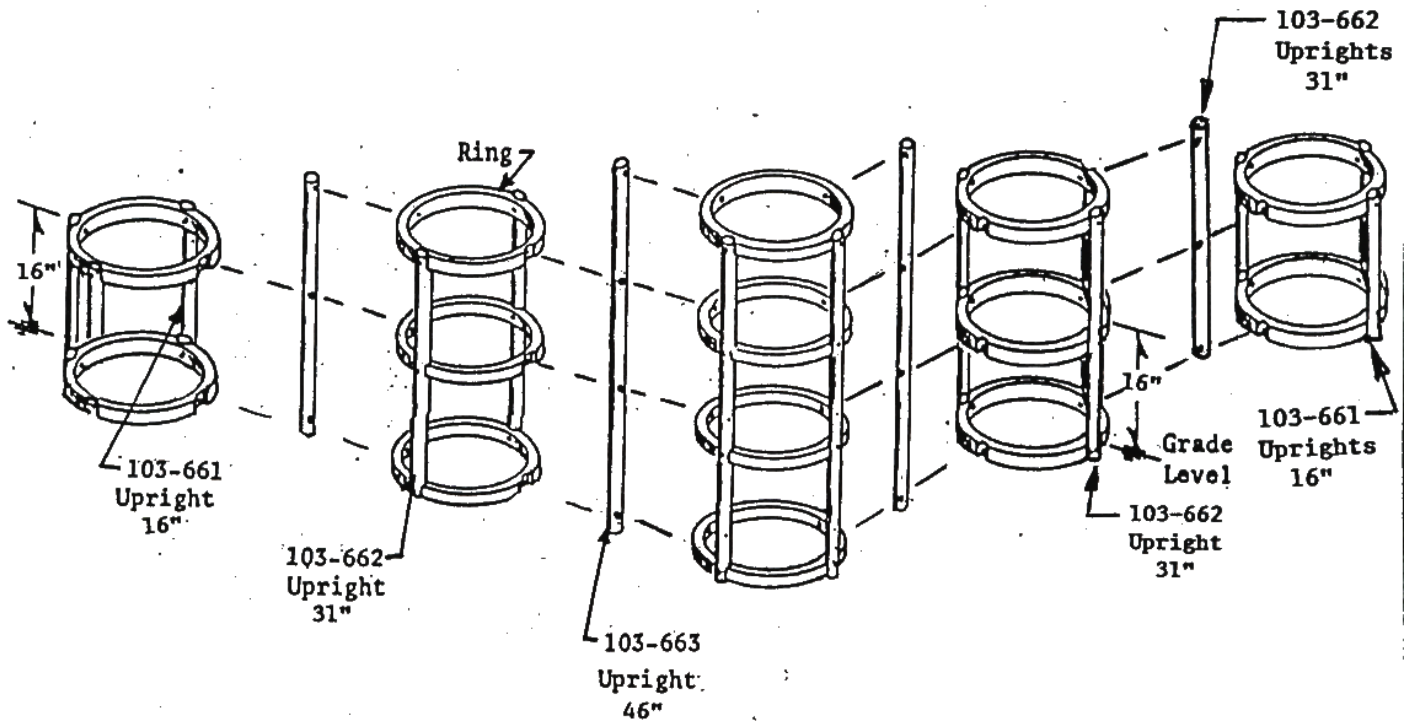


302-102 RING CLIMBER (Port)

*** IMPORTANT ***

PLEASE RETAIN THIS INSTRUCTION SHEET IN YOUR FILES. IT CONTAINS IMPORTANT REPLACEMENT PARTS INFORMATION. ALL EQUIPMENT SHOULD BE INSTALLED IN ACCORDANCE WITH THESE INSTRUCTIONS.

IT IS IMPORTANT TO USE AND MAINTAIN ALL PUBLIC PLAYGROUND EQUIPMENT PROPERLY. PLAYGROUND EQUIPMENT, WHICH IS IMPROPERLY MAINTAINED, CAN CAUSE SERIOUS INJURY. PERIODICAL INSPECTIONS, MAINTENANCE, REPAIR AND/OR REPLACEMENT OF DAMAGED PARTS IS NECESSARY FOR SAFE OPERATION OF EQUIPMENT AND SAFETY OF USERS. RESILIENT SURFACING SHOULD BE USED UNDER ALL PLAYGROUND EQUIPMENT. APPROPRIATE PUBLICATIONS, AVAILABLE AT NO CHARGE, FROM THE CONSUMER PRODUCT SAFETY COMMISSION, INCLUDE "A HANDBOOK FOR PUBLIC PLAYGROUND SAFETY." YOU CAN RECEIVE YOUR FREE COPY BY CALLING 1-301-504-0580.



PACKING LIST

| | | | | |
|---|-----|----|----------|----------|
| 1 | CTN | -1 | Hardware | Bag |
| | | -8 | 103-006 | Rings |
| 1 | CTN | -6 | 103-006 | Rings |
| 2 | BDL | -3 | 103-661 | Uprights |
| 2 | BDL | -3 | 103-662 | Uprights |
| 1 | BDL | -4 | 103-663 | Uprights |

HARDWARE BAG

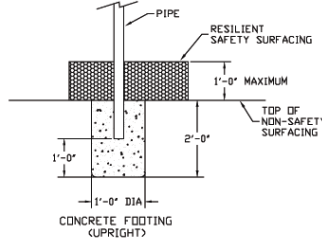
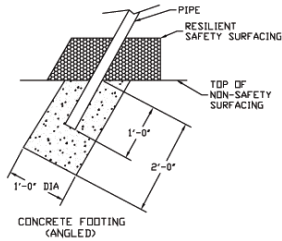
| | | | |
|----|---|---------|---------------------------------|
| 16 | - | 315-961 | 1 5/8" Pipe Cap |
| 10 | - | 116-555 | 5/16" x 3 1/2" Button Head Bolt |
| 36 | - | 116-545 | 5/16" x 2 1/2" Button Head Bolt |
| 42 | - | 326-501 | 5/16" Lock Washer |
| 42 | - | 216-512 | 5/16" Button Hd Nut |
| 2 | - | 416-350 | 3/16" Socket Key |

| | | | | |
|-------|-------|-------------|--------|----------|
| 2 CTN | 5 BDL | 7 TOTAL PCS | WT 97# | CLASS 70 |
|-------|-------|-------------|--------|----------|

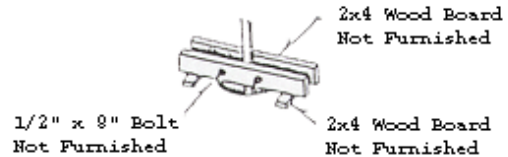
302-102 RING CLIMBER (Port)

GENERAL USE/FALL ZONE & FOOTING RECOMMENDATIONS

STATIONARY & PORTABLE EQUIPMENT - USE/FALL ZONES SHOULD EXTEND A MINIMUM OF 6 FEET IN ALL DIRECTIONS FROM THE PERIMETER OF THE EQUIPMENT GROUND SPACE. THIS AREA SHOULD BE COVERED WITH THE REQUIRED AMOUNT OF RESILIENT SAFETY SURFACING MATERIAL. FOR SOME EQUIPMENT - USE/FALL ZONES CAN OVERLAP. SEE CONSUMER PRODUCT SAFETY COMMISSION GUIDELINES. DIAMETER & DEPTH OF FOOTINGS ILLUSTRATED ARE SATISFACTORY IN MOST APPLICATIONS FOR PIPE SIZES UP TO 2 3/8" DIAMETER. VARYING SOIL & CLIMATIC CONDITIONS MAY REQUIRE DEEPER & HEAVIER FOOTING IN SOME AREAS. CHECK LOCAL BUILDING CODES.



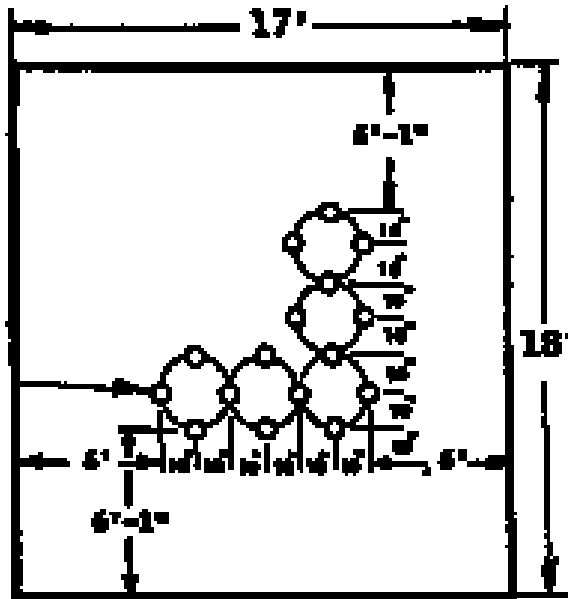
- If resilient surfacing is to be less than 12", then additional pipe should be put in concrete to maintain proper finish grade for equipment.



Suggested Bracing Method

USE AREA & FOOTING LAYOUT:

USE ZONE
17' x 18'



302-102 RING CLIMBER (Port)

GENERAL ASSEMBLY INSTRUCTIONS:

Check all the parts and hardware with the packing list to be sure you have received everything needed to assemble this product. CONTACT YOUR LOCAL DISTRIBUTOR WITH NOTIFICATION OF ANY MISSING OR DAMAGED PARTS. Contact must be made within ten days of receipt of your order.

Only hand-tighten nuts & bolts on initial assembly. Final tightening should be done **EVENLY** after final assembly when unit has been plumbed and leveled. After assembly is complete, **ANY ENDS OF BOLTS PROTRUDING BEYOND NUTS SHOULD BE CUT OFF AND/OR PEENED OVER TO REMOVE ANY SHARP PROJECTIONS.** Go over entire unit to file smooth any sharp edges or projections that may have been caused by rough handling in shipping or installation.

GENERAL MAINTENANCE INSTRUCTIONS:

Check **MONTHLY** for loose bolts, damaged or broken parts. Tighten and/or replace immediately.

SPECIFIC ASSEMBLY INSTRUCTIONS:

- NOTE:** All threaded ends of bolts protruding beyond nuts must be cut off and/or peened to eliminate sharp edges. No more than two threads should extend beyond face of nut. All washers, "T" nuts, and other fastener hardware used on round pipe or tubing must be hammered down to conform to the curved underlying surface to eliminate catch points.
- STEP #1:** Drive in Pipe Plugs (355-900) into bottom of all legs. File off any metal shavings that result from wedging plugs into posts.
- STEP #2:** Assemble 3-Ring tower first. Cast Aluminum rings have mold ejection marks on **BOTTOM** side. Assemble tower on side - rolling over until all four posts are attached. Temporarily use longer bolts where indicated until ready to attach other towers. SEE ILLUSTRATION #1.
- STEP #3:** Assemble other towers in same manner, attaching to 3-ring tower as indicated. SEE ILLUSTRATION #2.
- STEP #4:** Drive in Pipe Plugs (355-900) on top of pipe posts. File off any metal shaving that result from wedging plugs into posts.
- STEP #5:** Plumb & level unit. Tighten all nuts & bolts "evenly" until lock washers are flat.

ILLUSTRATION #1

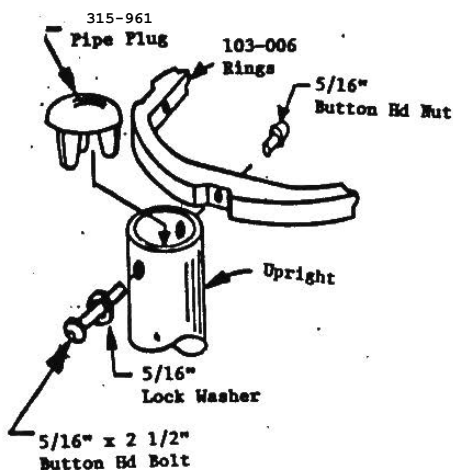


ILLUSTRATION #2

